

L-30 Laser Welding Helmet

Adjustable shade laser helmet



L-30 Laser Welding Helmet

Industry

- Laser Welding - Handheld

Redefining Laser Safety

Experience precision and protection with the L-30 advanced handheld laser welding helmet. Featuring an EN 207 certified filter and shell, it offers reliable defense against high-intensity laser radiation. With five adjustable shade settings (2.5–5) and a large 100 x 60 mm (3.94 x 2.36 in.) viewing area, you'll get clear, comfortable visibility for every task.

The lightweight carbon fiber front shell provides all-day comfort with uncompromised safety, while the intuitive digital interface makes shade adjustments fast and easy. Built for both precision work and tough environments, this helmet sets a new standard in laser welding protection.

- Full EN 207 certifications for optical filter and shell
- Permanent laser protection
- 5-step adjustable shade
- Carbon fibre front shell
- Carbon fibre filter bracket
- Multi-point adjustable headgear
- Suitable for 900-1100 nm wavelength

Visit esab.com for more information.



L-30 Laser Filter



L-30 Laser Welding Helmet

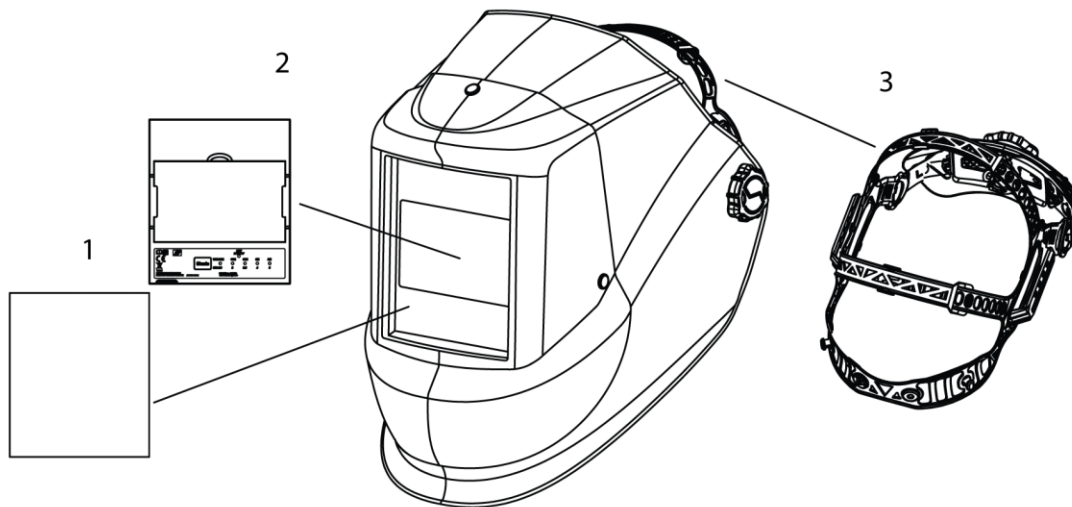
L-30 Laser Welding Helmet

Specifications	
Viewing Area	100 x 60 mm (3.93 x 2.36 in.)
Lens Shade	Adjustable: DIN 2.5 (VLT 25%); 3 (VLT 15%); 3.5 (VLT 10%); 4 (VLT 5%); 5 (VLT 2%)
Power Supply	Solar cell, Replaceable Battery (1*CR2032 lithium). Alerts when low battery.
Certification - FILTER	EN ISO 16321 ESAB W2.5/3/3.5/4/5 V2; EN 207 900-1080 D LB7 IR LB8 CE AS/NZS ESAB W2.5/3/3.5/4/5 S 900-1080 OD7 C5 PS3 ISO 19818-1 ESAB
Certification - SHELL	EN ISO 16321 ESAB W15 EN 207 900-1100nm D LB7 IR LB8 CE ESAB AS/NZS 1337.1 B 1000-1100 OD7 C5 PS3 ISO 19818-1 ESAB E
Warranty	2 years
Weight	648 g (1.4 lbs)

Ordering Information	
L-30 Laser Welding Helmet	0700700100

Delivery includes: 1 Complete L-30 Laser Weldng Helmet; 2 Replacement Outer Lenses; 1 Storage bag

Wear and Spare Parts		
1	L-30 Outer Protective Lens	0700700102
2	L-30 Inner Protective Lens	0700700103
3	L-30 Headgear	0700700101
	Magnifying Lens +1.0 Diopter	0700000084
	Magnifying Lens +1.5 Diopter	0700000085
	Magnifying Lens +2.0 Diopter	0700000086
	Magnifying Lens +2.5 Diopter	0700000087



ESAB / esab.com

